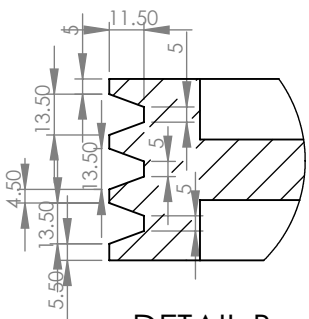


SECTION A-A
SCALE 1 : 5



DETAIL B
SCALE 2 : 5

DO NOT SCALE DRAWING		REVISION	
TITLE:			
MATERIAL:		DWG NO. PULLEY 18 INCH	
WEIGHT:		SCALE:1:10	SHEET 1 OF 1
		A4	